

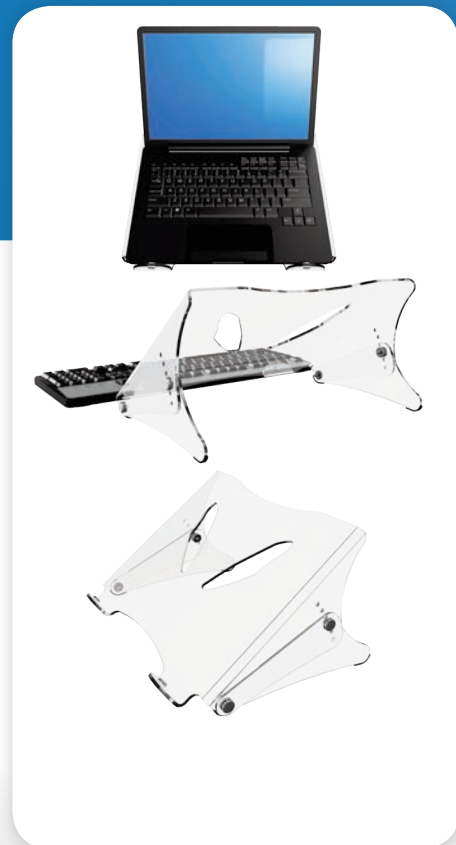


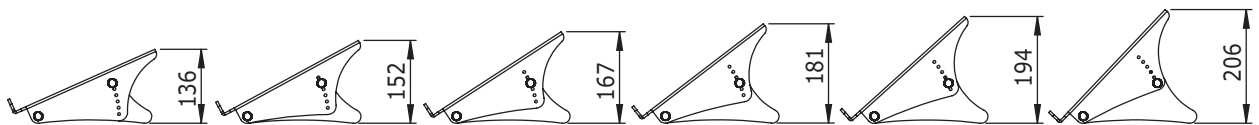
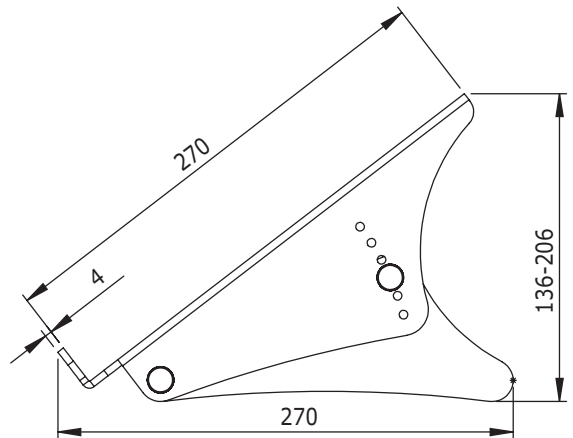
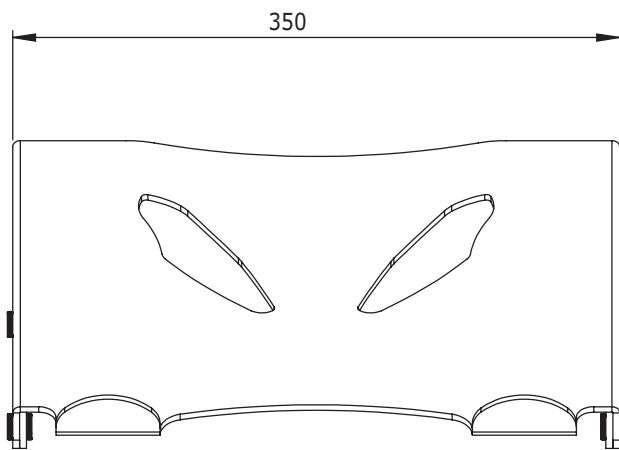
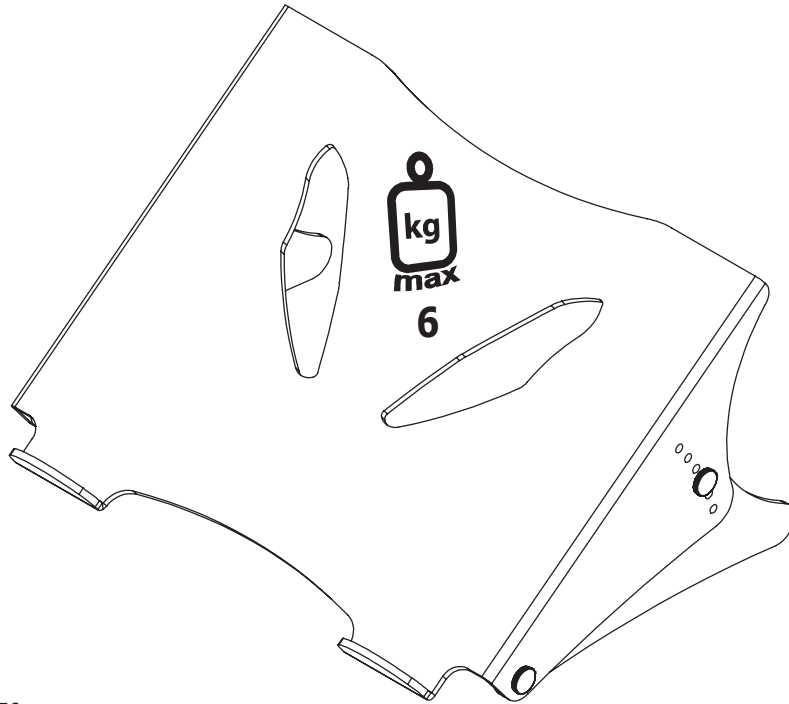
49.450

ErgoNote Notebook Stand HA 450

The ErgoNote® notebook stand is a height adjustable acrylic notebook raiser. The ErgoNote® inclines and raises the screen of a notebook to eye-level. Making it easier and more pleasant to work on the notebook for several hours. This version has cut-outs for extra notebook cooling capacity. To be used with additional keyboard and mouse.

- Suitable for notebooks up to 15,4"
- Raises the notebook to eye-level
- Leaves all notebook ports and drives still accessible
- Made from 4mm clear acrylic
- Max. weight capacity of 6kg
- To be used with additional keyboard and mouse
- Height adjustable from 136-206mm in six steps
- Ergonomically sound solution
- Dimensions (wxdxh): 350 x 270 x 136-206mm





DFX.# 49.450

clear acrylic

395 x 295 x 120mm

1,095kg

805410494506



15,4"W/39cm



6kg



70mm

Dealer