

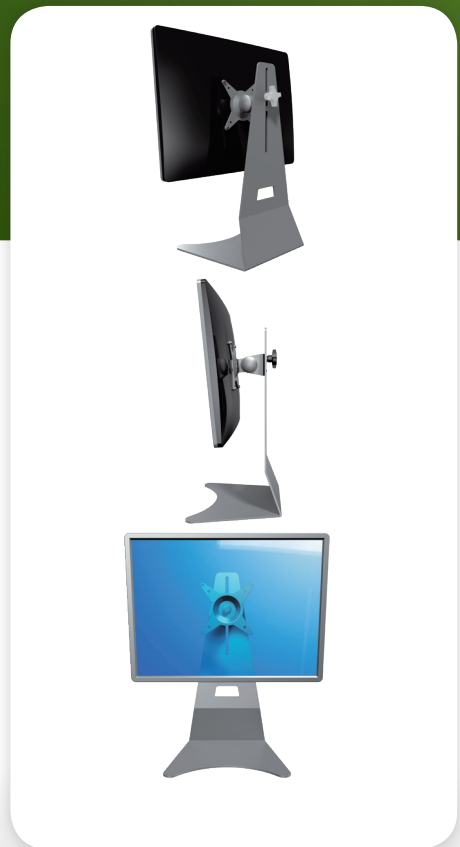


52.502

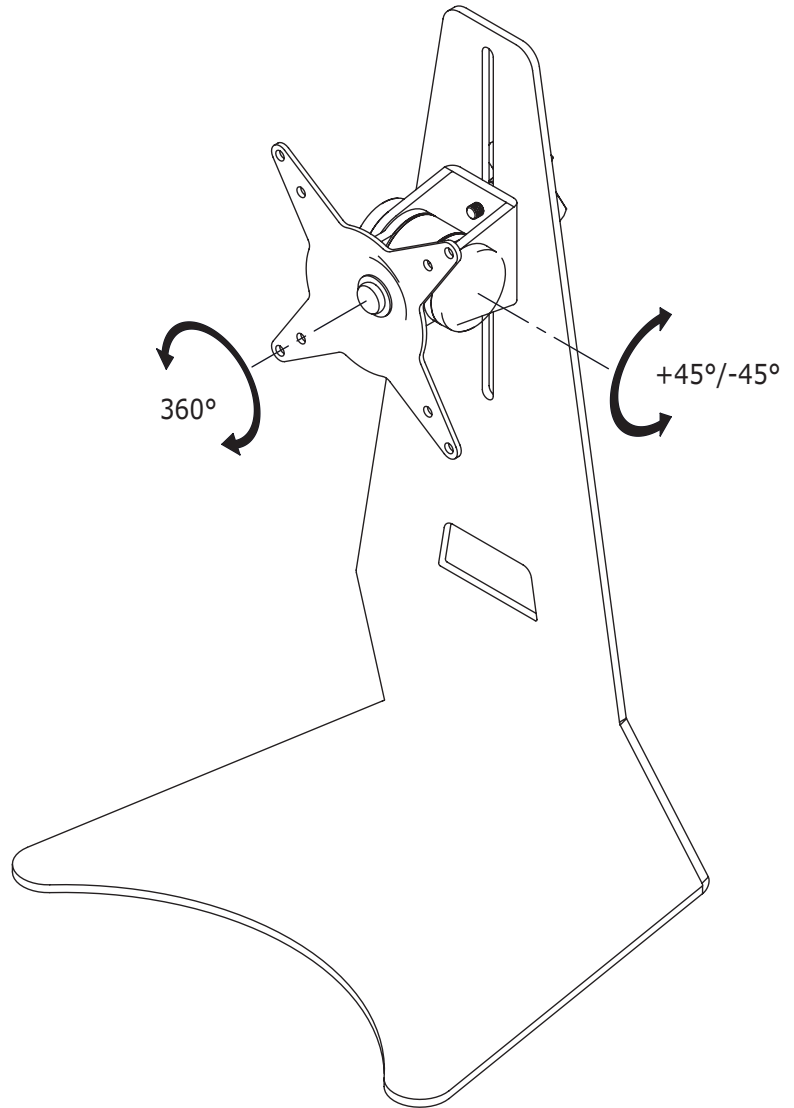
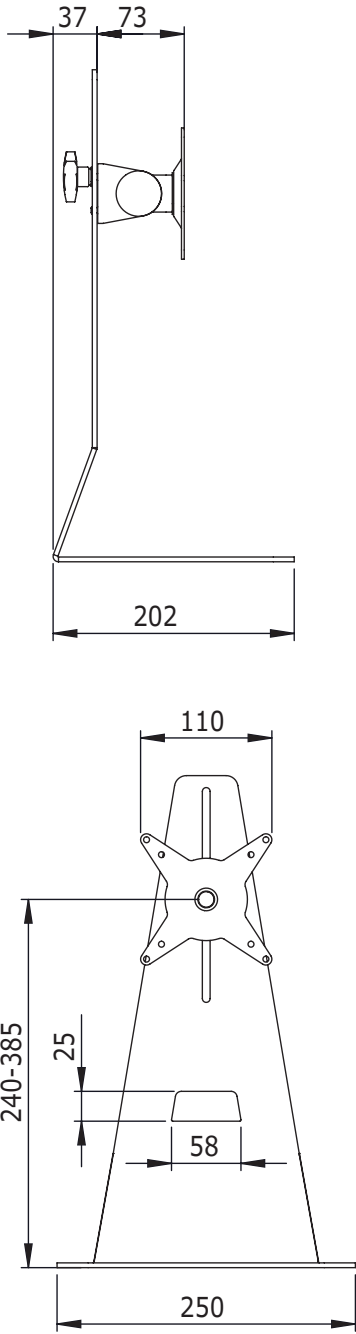
ViewMate Style Monitor Stand 502

A great, easy and affordable way to get more out of the monitor. By replacing the too low standard foot that came with the monitor with this solid steel desk stand, one now has a solution which is height adjustable, tiltable and even rotatable for switching between portrait and landscape mode.

- Mounts single monitor
- Solid steel
- Height adjustable 240-390mm
- Balanced foot
- VESA: MIS-D 75 x 75/100 x 100mm compatible
- Max. weight capacity of 15kg/monitor (up to 24"/24"W)
- Rotate 360°, tilt 50°
- Base plate footprint 250 x 202mm
- Can raise the monitor 100mm higher than most monitor stands included with the monitor



 viewmate



DFX.# 52.502

silver



805410525026



24"W/61cm



15kg



150mm



180°



50°



360°



75/100mm

Dealer